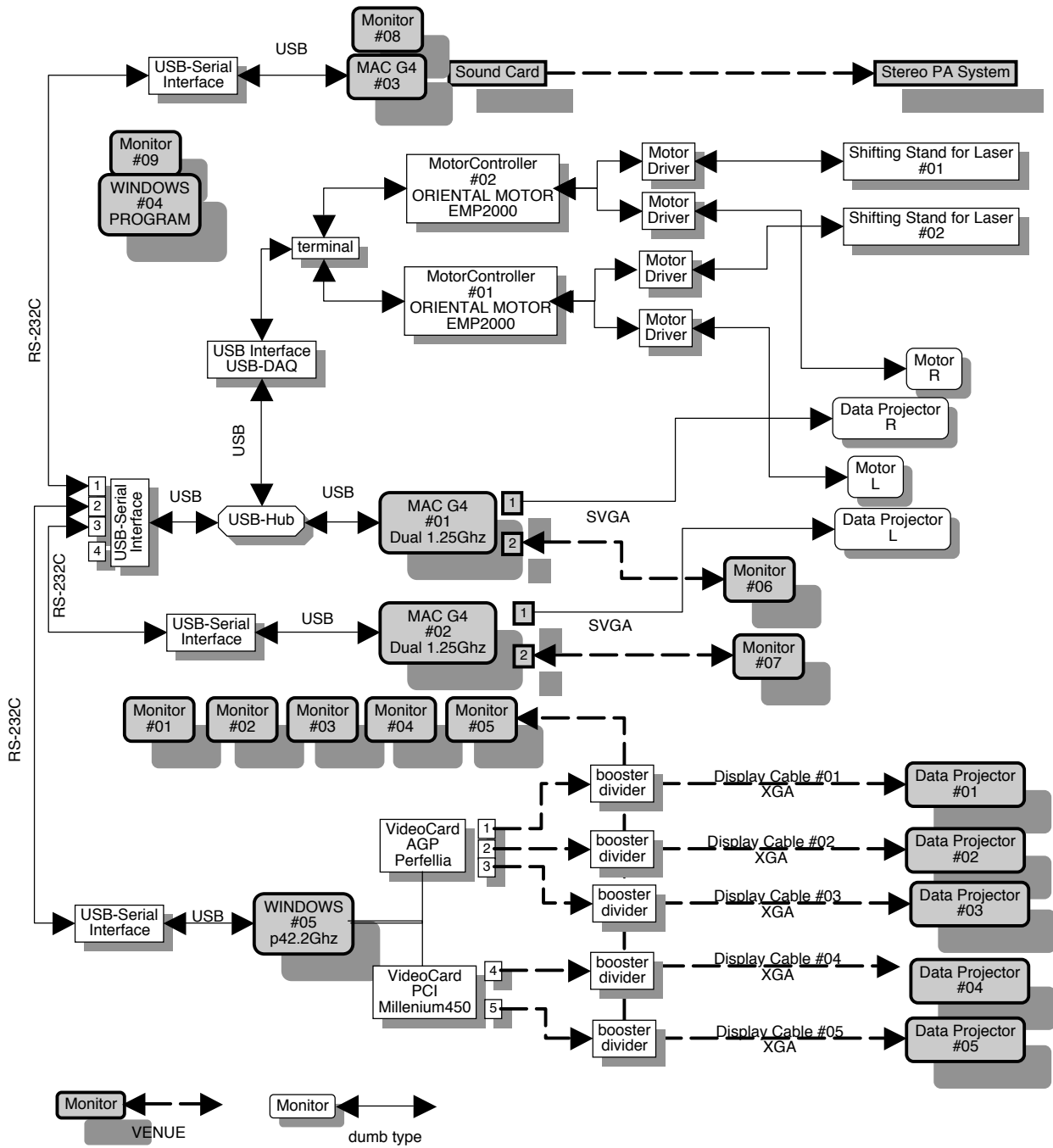




No.	hardware			description	attachment
<b>VIDEO EQUIPMENTS</b>					
1	MAC G4 #01	x	1	CPU: Dual 1.25GHz PowerPC G4 MainMemory: 2GB / HD: 80GB(7200rpm) USB Port x 2	Keyboard +Mous
2	MAC G4 #02	x	1	CPU: Dual 1.25GHz PowerPC G4 MainMemory: 2GB / HD: 80GB(7200rpm) USB Port x 2	Keyboard +Mous
3	MAC G4 #03		1	CPU: Dual 1.25GHz PowerPC G4 MainMemory: 2GB / HD: 80GB(7200rpm) USB Port x 2	Keyboard +Mous
6	PC #04	x	1	CPU: 2GHz Pentium 4 MainMemory: 256MB / HD: 40GB RS-232C Port x 1	Keyboard +Mous
5	PC #05	x	1	CPU: 3.2GHz Pentium 4 MainMemory: 4GB / HD: 80GB USB Port x 2	Keyboard +Mous
6	Monitor #01 - #05	x	5	Size: 15inch / Resolution: XGA	Dsub15pin cable 3m
7	Monitor #06 - #07	x	2	Size: 15inch / Resolution: SVGA	Dsub15pin cable 1.5m
8	Monitor #08 - #09	x	2	Size: 15inch	Dsub15pin cable 1.5m
9	Data projector #01 - #05	x	5	Resolution: XGA Brightness: 4500 ANSI lumen / Lens shift	pref. SANYO LP-XP55
10	Display cable #01	x	1	Connector: Dsub15pin Male to Female Length: PC #05 to Data Projector#01	pref. Extron SuperFlex VGA MHR Cable
11	Display cable #02	x	1	Connector: Dsub15pin Male to Female Length: PC #05 to Data Projector#02	pref. Extron SuperFlex VGA MHR Cable
12	Display cable #03	x	1	Connector: Dsub15pin Male to Female Length: PC #05 to Data Projector#03	pref. Extron SuperFlex VGA MHR Cable
13	Display cable #04	x	1	Connector: Dsub15pin Male to Female Length: PC #05 to Data Projector#04	pref. Extron SuperFlex VGA MHR Cable
14	Display cable #05	x	1	Connector: Dsub15pin Male to Female Length: PC #05 to Data Projector#05	pref. Extron SuperFlex VGA MHR Cable



dumb type

FREIGHT FOR INSTALLATION 'Voyages'

NUMBER OF CASES        10 BOXES  
 QUANTITY                7.479 M3  
 CONTENTS VOLUME       1376 KG

## LIST OF BOX SIZE

No.	PACKING STYLE	CONTENTS	SIZE	M3	KG	kg contents
1	Black Freight Case with wheel	LASER MOUNT	200cm x 75cm x (h)35cm	0.525		66
2	wooden box with wheel	VIDEO PROJECTOR, CONTROLLER	111cm x 91cm x (h)93cm	0.939		60
3	wooden box with wheel	CABLE, PIPE	111cm x 91cm x (h)93cm	0.939		100
4	Black Freight Case with wheel	RAIL FOR PROJECTOR	255cm x 89cm x (h)133cm	3.018		250
5	Black Freight Case with wheel	FLOOR PLATE	75cm x 52cm x (h)87cm	0.343		150
6	Black Freight Case with wheel	FLOOR PLATE	75cm x 52cm x (h)87cm	0.343		150
7	Black Freight Case with wheel	FLOOR PLATE	75cm x 52cm x (h)87cm	0.343		150
8	Black Freight Case with wheel	FLOOR PLATE	75cm x 52cm x (h)87cm	0.343		150
9	Black Freight Case with wheel	FLOOR PLATE	75cm x 52cm x (h)87cm	0.343		150
10	Black Freight Case with wheel	FLOOR PLATE	75cm x 52cm x (h)87cm	0.343		150
			TOTAL	7.479		1376

## 1st day

[Set The truss at working hight, Check the lighting & 5 video projectors & Sound & Install the softwares]

TECHNICAL DIRECTOR		1 person
SOUND ENGINEER	check the sound boards and Speakers	2 person
TRUSS SET CREW	set the truss at working hight	2 person
CARPENTER	prepare scaffolding and finish the details as required	2 person
EXHIBIT STAFF	open the crates	2 person
ELECTRICAL ENGINEER	wiring the cables	1 person
LIGHTING ENGINEER	adjust the lighting as required	1 person
VIDEO ENGINEER	install and adjust 5 projectors	2 person

## 2nd day

[Set the rail for projectors]

(WE NEED WORKING TABLES TO SET OUR RAIL TO THE TRUSS. THE TABLE IS 1M X 12M. ref. photo01)

TECHNICAL DIRECTOR		1 person
CARPENTER	set working table under the truss & joint the rails	2 person
VIDEO ENGINEER	adjust 5 projectors and wiring	2 person

## 3rd day

[Set the rail for projectors]

TECHNICAL DIRECTOR		1 person
CARPENTER	help to joint the rails	2 person
VIDEO ENGINEER	wiring	2 person

## 4th day

[Lift up the truss]

(WE NEED SCAFFOLDING TO ADJUST MOTORS &VIDEO. ref. photo02)

TECHNICAL DIRECTOR		1 person
TRUSS SET CREW	set the truss in position	2 person
CARPENTER	adjust rail	2 person
ELECTRICAL ENGINEER	wiring the cables	1 person
VIDEO ENGINEER	wiring the cables	2 person

## 5th day

[Fix the truss, set the Floor Panel and adjust the videos]

TECHNICAL DIRECTOR		1 person
TRUSS SET CREW	fix the truss to the wall or ceiling	2 person
CARPENTER	move scaffolding and set the floor panel	2 person
VIDEO ENGINEER	wiring the cables	1 person

## 6th day

[focus the light and adjust sound equipment]

TECHNICAL DIRECTOR		1 person
CARPENTER	move scaffolding	2 person
VIDEO ENGINEER	adjust 5 projectors	1 person
SOUND ENGINEER	check the sound	1 person
LIGHTING ENGINEER	focus the lighting as required	2 person

## 7th day

[software adjustment, clean up]

TECHNICAL DIRECTOR		1 person
CARPENTER	take down scaffolding and clean up	2 person
EXHIBIT STAFF	finish the entrance	2 person

ALL THESE SCHEDULE IS PLANNED ON THE ASSUMPTION THAT ALL EQUIPMENTS WE REQUIRE ARE WELL PREPARED.

## PREPARATION BY VENUE

\* The following condition must be prepared and finished according to this technical requirement BEFORE Dumb Type technical crew arrival. Please remind that the schedule on page 5 of this requirement does not include the time for the construction of the space.

- Floor (white linoleum)
- Wall (black matt finished)
- Operating table and consoles at back side with electric supply as required
- House Light for work
- Lighting projectors for Exhibition with dimmer and operating console
- 5 video projectors should be installed with power and signal cable
- Truss should be ready for hanging the equipment of the Moving Projectors which is provided by Dumb Type
- Speakers and amplifier

## NOTE

- 1) The set-up work is done on the white linoleum. To avoid to damage the white linoleum, something cover for the white linoleum is necessary during the set-up, OR if the white linoleum would be set after the all set-up work, in that case, one more day should be added to the schedule on page 5 of this requirement.
- 2) We need working scaffolding to adjust the Video & Lighting projectors. The scaffolding is with wheels which wheelbase is over 2000 mm (ref. Photo 02) .
- 3) The presenter must provide one technical manager who is responsible all technical things (sound, lighting, video and softwares) during the prearrangement, preparation and installing to be able to reply the all questions and requests by Dumb Type.

photo 01 working table

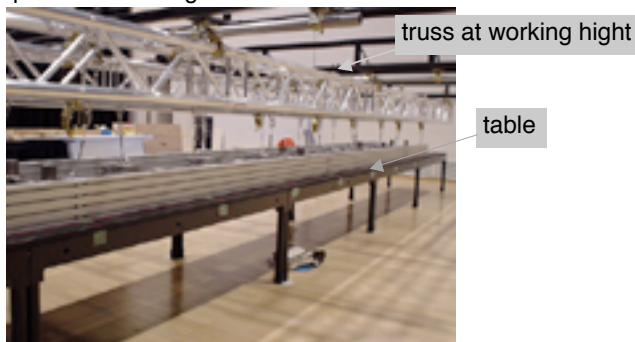


photo 02 scaffolding

